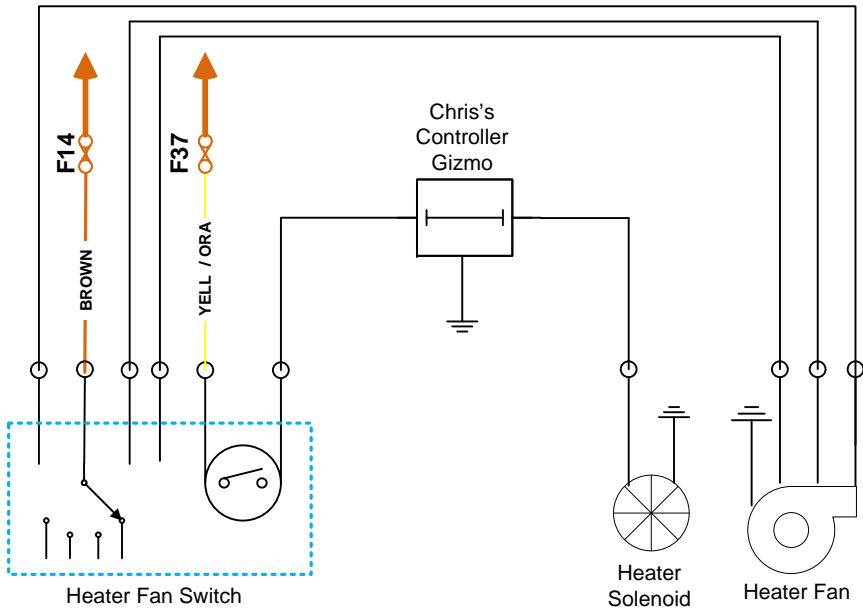
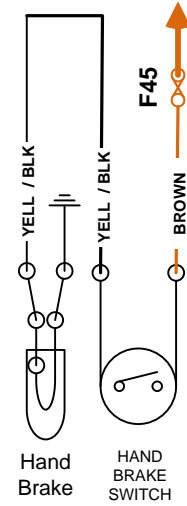


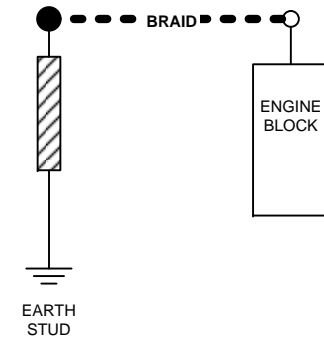
HEATER



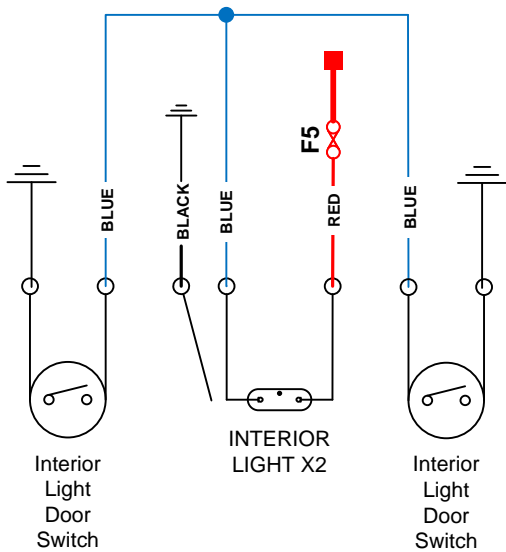
HAND BRAKE



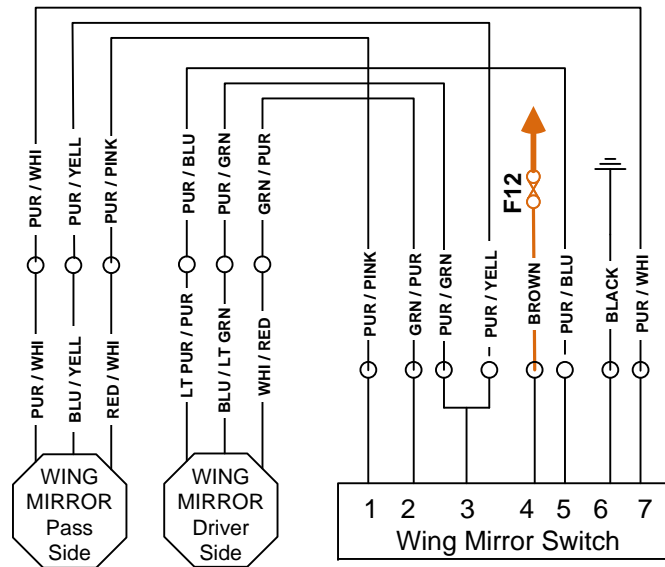
EARTH



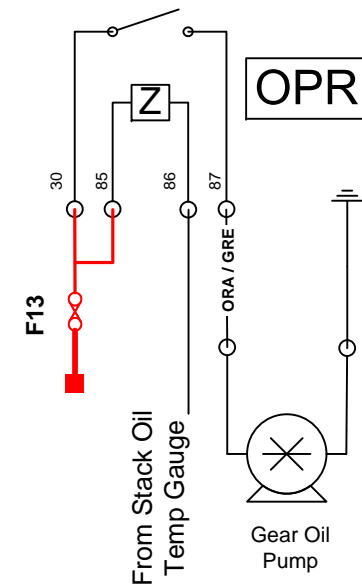
INTERIOR LIGHT



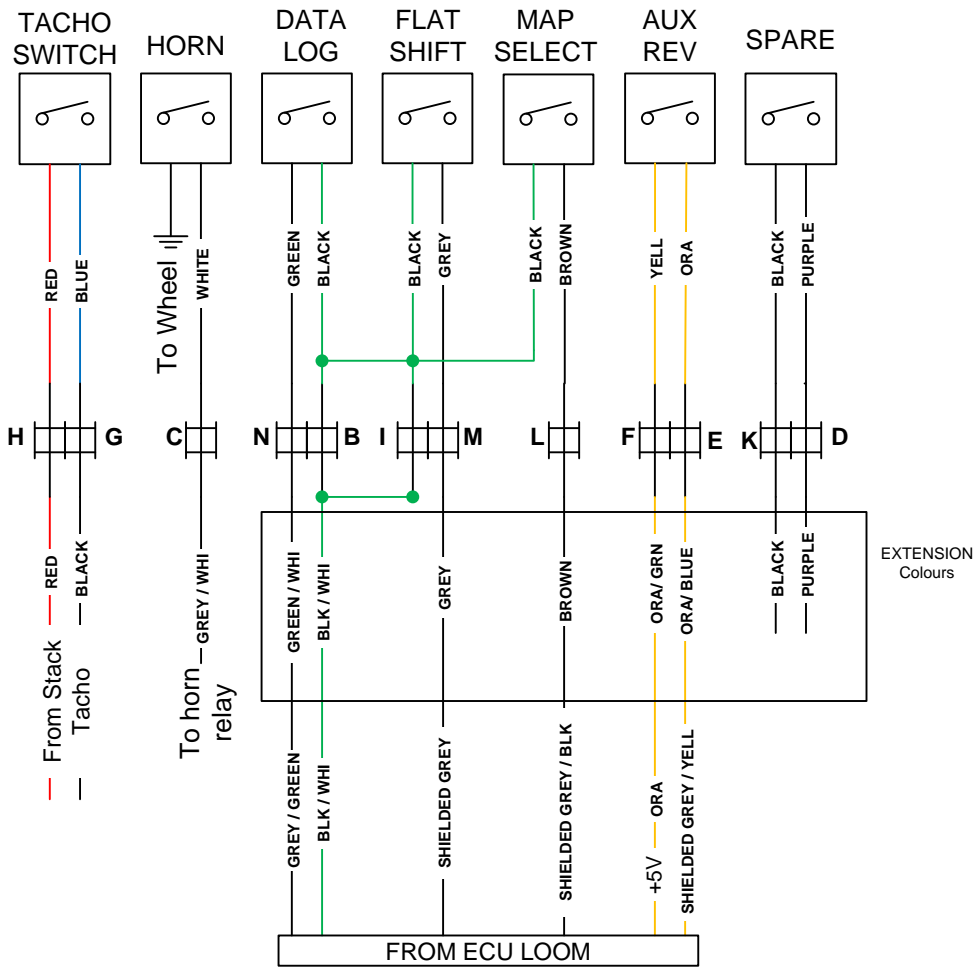
WING MIRRORS



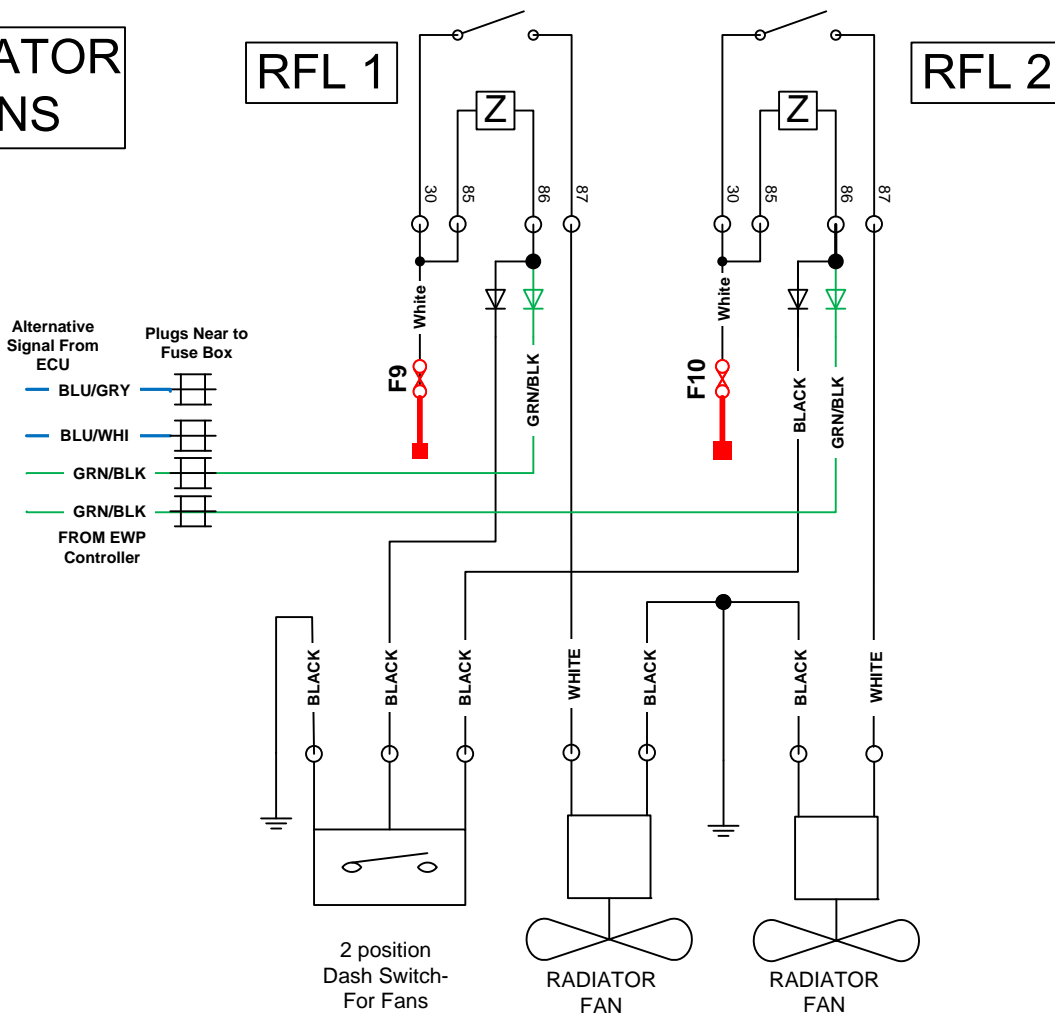
GEARBOX OIL PUMP



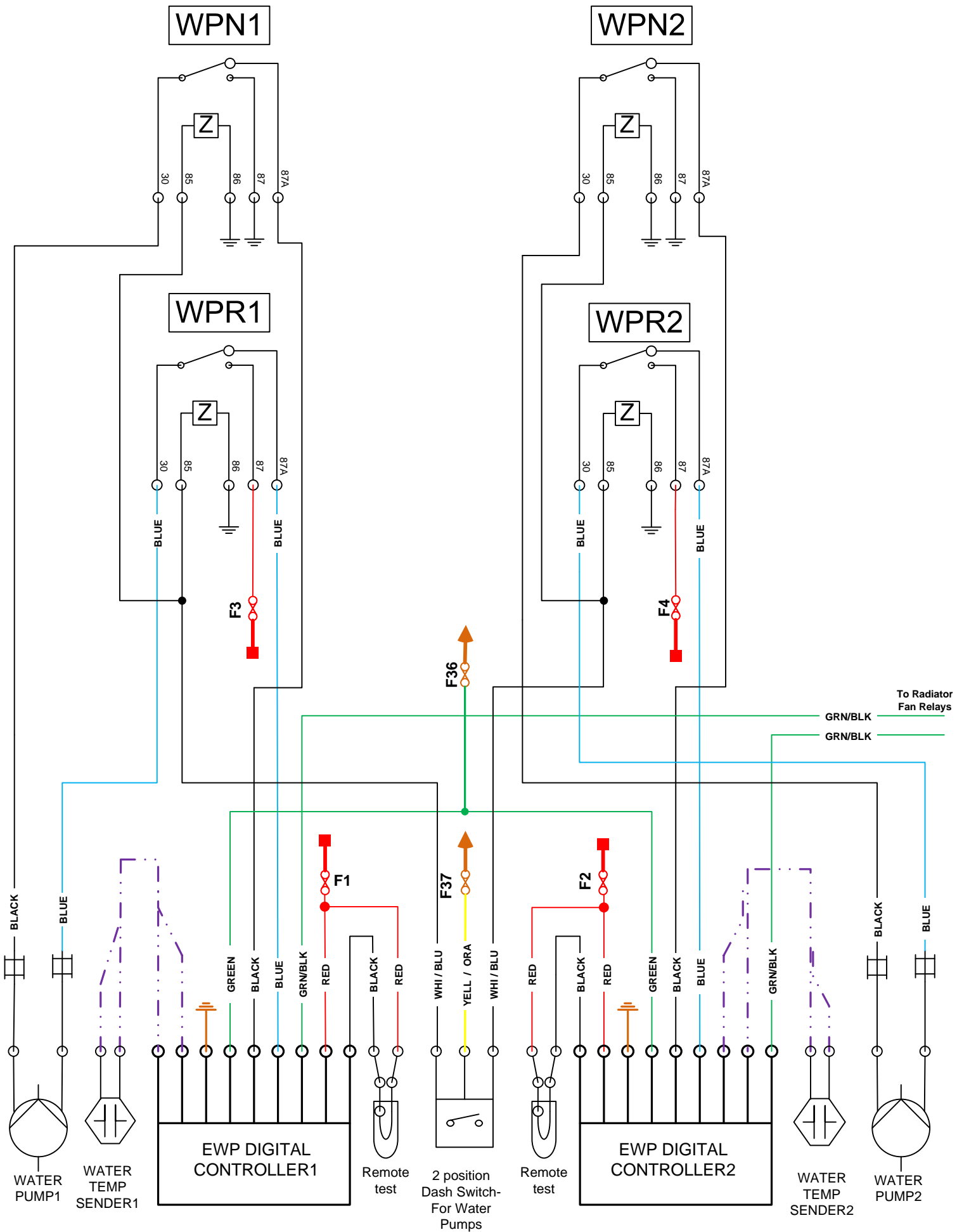
STEERING WHEEL SWITCHES



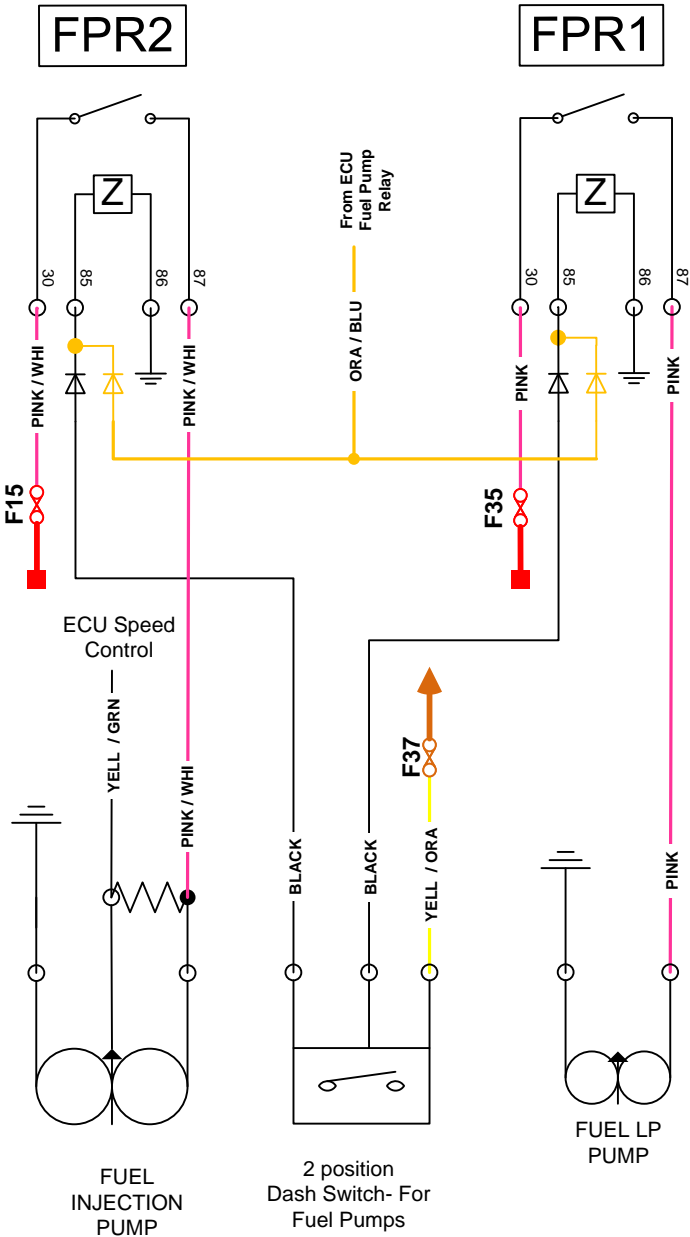
RADIATOR FANS



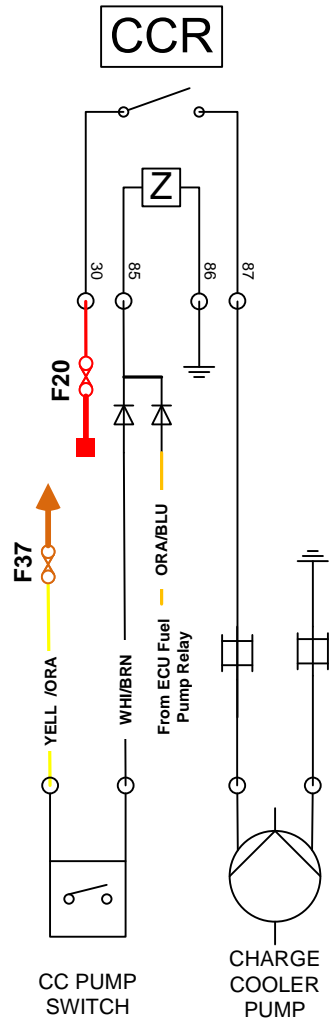
WATER PUMPS



FUEL PUMPS



CHARGE COOLER PUMP



VIEW FROM TOP

STARTER RELAY

