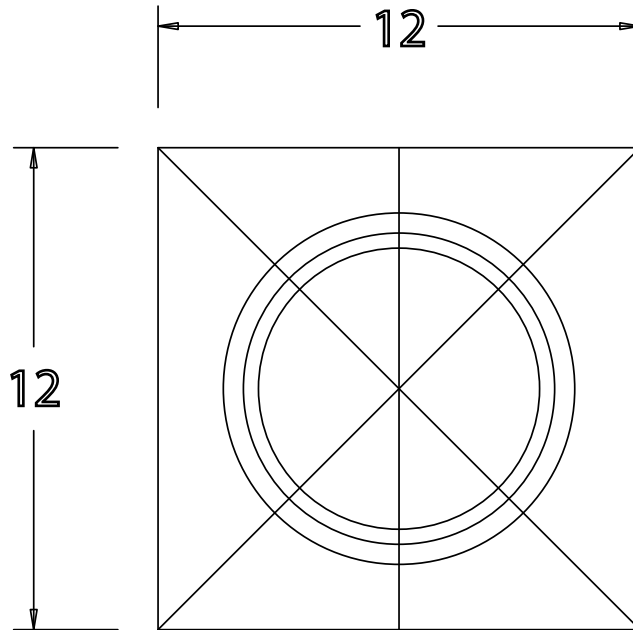


IOM Template



On Cardboard

DRAW 3 CIRCLES
CUT SMALLEST FIRST

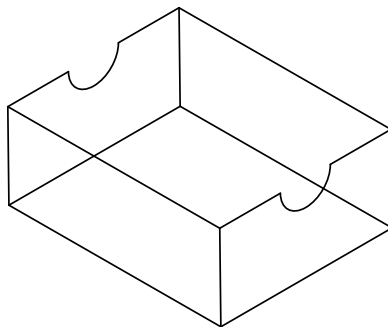
3 1/2" RADIUS

3 7/8" RADIUS

4 3/8" RADIUS

THEN CUT IN 2
ON CUT LINE

TAPE THE 4 PIECES TOGETHER TO MAKE A BOX LIKE THIS



IF YOUR BOAT FITS GOOD .

IF NOT CUT THE NEXT BIGGER SIZE CIRCLE.

YOUR BULB MUST BE INSIDE THE 15" BOX
THAT IS THE DISTANCE BETWEEN THE LEGS